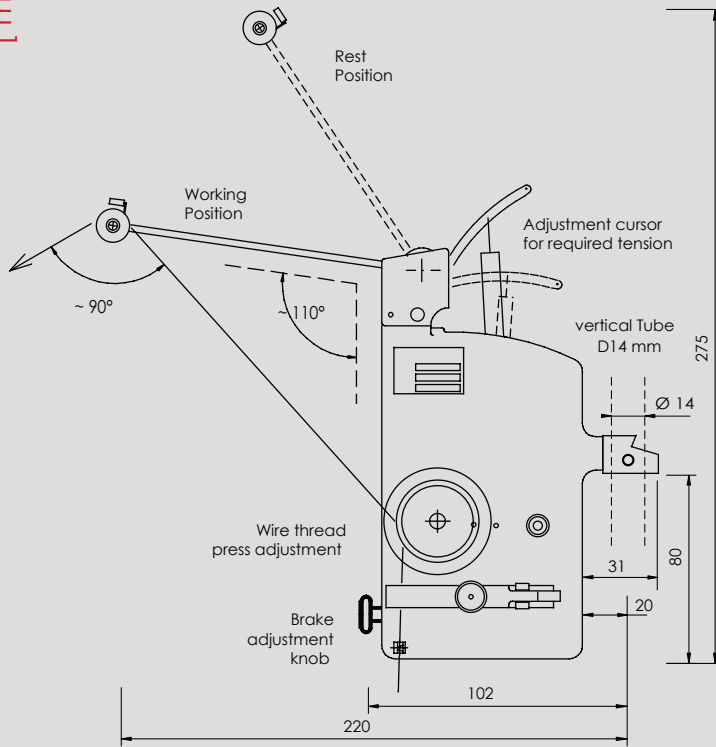


[ mm ]



**Wire / Tension**



available version

ALTIC Reference	
Standard	138.000.1

[www.coil-winding-tensioners.com](http://www.coil-winding-tensioners.com)

Spare parts	Reference
Pigtail Eyelets (10 pcs)	137.003.1
Complete Brake Pulley	137.060.8
Wire Thread Press	137.400.0
Thread Press Felts (10 pcs)	137.858.1
Dynamo. Arm pulley w/ bushing	138.033.1
Dynamometric Springs (10 pcs)	138.077.1
Complete Dynamometric Arm	138.251.0
Complete Brake Block	138.300.0

